

4

3

2

DWG NO. WR000454_SPARES

SH 1 REV A

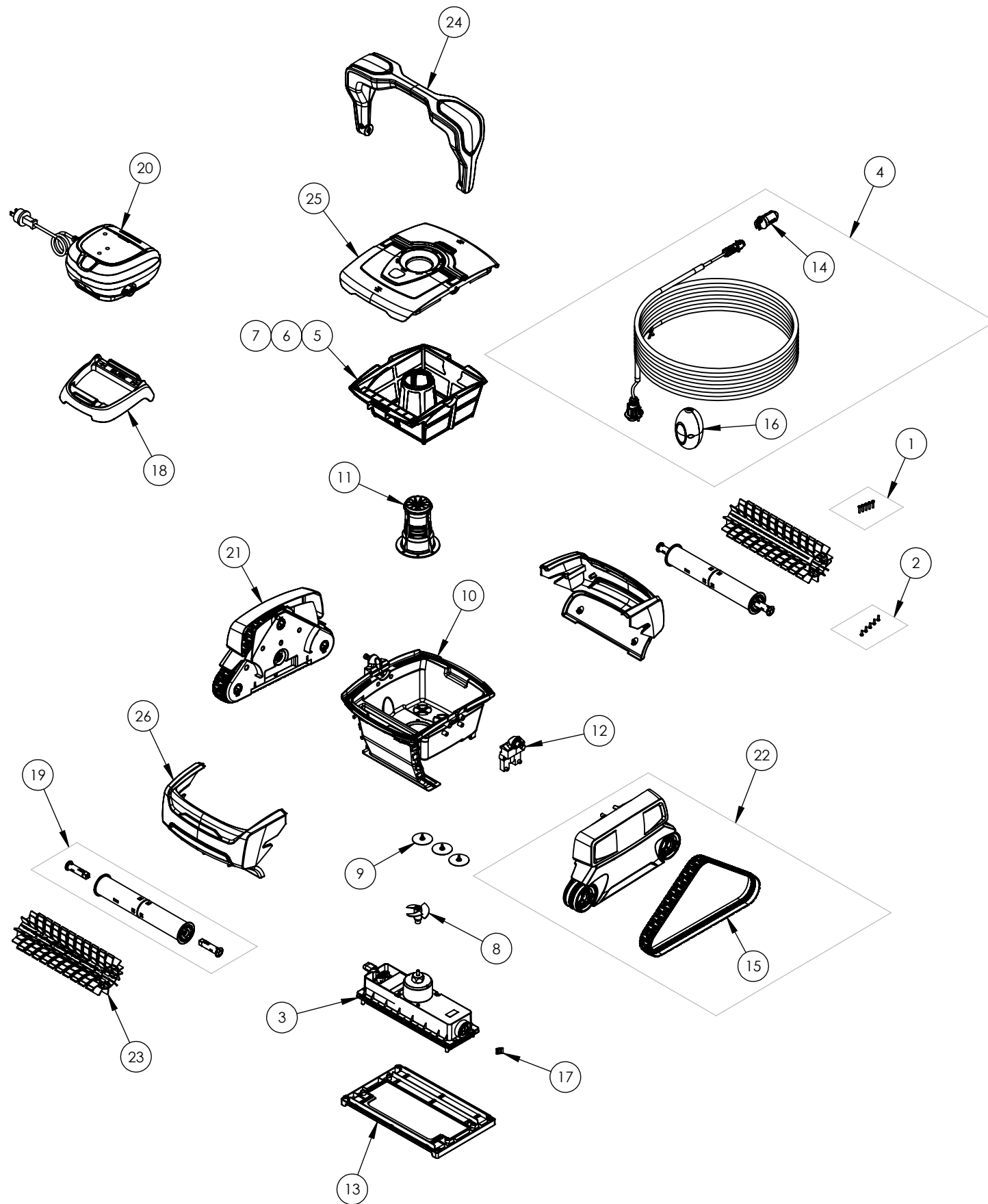
THIS DOCUMENT AND THE INFORMATION CONTAINED HEREIN ARE PROPRIETARY TO ZODIAC POOL SYSTEMS, INC. AND SHALL NOT BE REPRODUCED, TRANSFERRED TO OTHER DOCUMENTS, USED OR DISCLOSED TO OTHERS FOR MANUFACTURING OR ANY OTHER PURPOSE EXCEPT AS SPECIFICALLY AUTHORIZED IN WRITING BY ZODIAC POOL SYSTEMS, INC.

Référence SE / Assy #	Désignation SE / Assy Name
WR000454_SPARES	POLARIS NEO ROBOTIC SPARES

REVISIONS					
REV.	ECR	DRAFT	CHECKED BY	APPROVED BY	RELEASE DATE
A	207407	MEERI	ARIF	TY.LEE	17.08.21

CHANGE:
Création du plan

ITEM NO.	PART NUMBER	DESCRIPTION	QTY.
1	R0516700	SCREW 4*12 (SET OF 5)	1
2	R0608500	SCREW 4*16 MM A4 (SET OF 5)	1
3	R0632000	COMPLETE MOTOR BLOCK CYCLONX	1
4	R0632100	COMPLETE FLOATING CABLE CYCLONX 15M	1
5	R0632700	COMPLETE FILTER 100 C GP	1
6	R0632701	COMPLETE FILTER 200 C GP	1
7	R0632702	COMPLETE FILTER 60 C GP	1
8	R0633200	IMPELLER CYCLONX	1
9	R0633300	EXHAUST VALVE CYCLONX (SET OF 3)	1
10	R0633400	BOWL CYCLONX	1
11	R0633500	FLOW OUTLET CYCLONX	1
12	R0633600	HANDLE SHAFT CYCLONX	2
13	R0633800	BOTTOM PLATE CYCLONX	1
14	R0634100	CONNECTOR 3PTS BODY	1
15	R0657700	TRACK C GP (SET OF 2)	1
16	R0657800	CABLE FLOAT C GP	1
17	R0657900	MOTOR BLOCK SHAFT PIN Ø4 (SET OF 5)	1
18	R0662600	CONTROL UNIT BASE	1
19	R0722400	BRUSH ROLLER + KEYS C	2
20	R0754300	CONTROL BOX TYPE 2 C US	1
21	R0959200	COMPLETE FREE GEAR BOX W C RAL9022 RAL9022	1
22	R0959300	COMPLETE GEAR BOX W C RAL9022 RAL9022	1
23	R0961300	BRUSH SCRUBBER C PMS7712 GP (SET OF 2)	1
24	R0961400	COMPLETE HANDLE B C GREY GP	1
25	R0961500	COMPLETE COVER C B-3	1
26	R0961600	BODY B GREY C	2



UNLESS OTHERWISE SPECIFIED: TOLERANCES:

	IMPERIAL	METRIC	ANGULAR
X	± .1	± .5	± 1°
.XX	± .03	.XX ± .10	
.XXX	± .005	.XXX ± .050	

DO NOT SCALE DRAWING
THIRD ANGLE PROJECTION.
DIMENSIONS ARE IN INCHES.

MATERIAL:	APPROVALS	DATE
SEE NOTES	DRAFT MEERI	17.08.21
HEAT TREAT:	CHECK ARIF	17.08.21
FINISH:	APPROVE TY.LEE	17.08.21



TITLE: POLARIS NEO ROBOTIC SPARES			
SIZE B	SOFTWARE S	DWG. NO. WR000454_SPARES	REV. A
SCALE: NONE		SHEET: 1 OF 1	