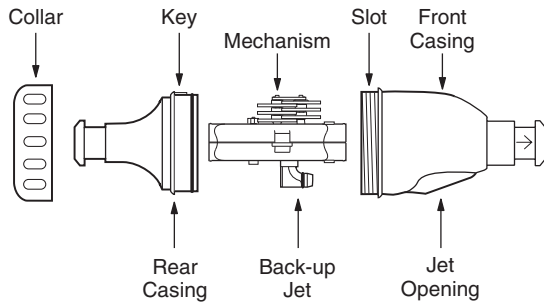




# Polaris 360 In-line Back-up Valve Mechanism or Case Kit Replacement Instructions

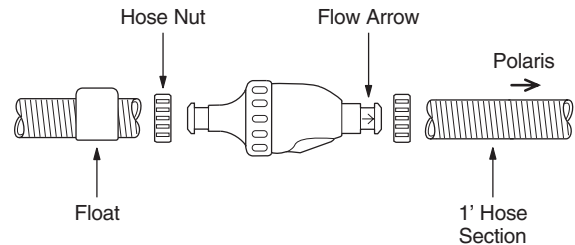
1. Remove the back-up valve from the feed hose. **Please note:** The replacement parts included are designed to work with the #9-100-1200 back-up valve only.
2. Unscrew and remove the back-up valve collar.
3. Pull apart the back-up valve case.



4. Remove the mechanism from the front casing.
5. **For Mechanism Replacement** — Push the new mechanism into the front casing. Make sure the back-up jet is in the jet opening at the bottom of the case.

**For Case Kit Replacement** — Push the mechanism into the new front casing. Make sure the back-up valve jet is in the jet opening at the bottom of the case.

6. Align the key on the rear casing with the slot on the front casing. Push the front and the rear casings together.
7. Screw on the back-up valve collar until it locks into place. Do not overtighten.
8. Push the hose nuts onto the ends of the back-up valve. Position the back-up valve so the flow arrow is pointing toward the Polaris.
9. Push one end of the hose onto the back-up valve and twist the hose nut onto the hose. Tighten the hose nut by twisting counter-clockwise; do not overtighten. Repeat with the other end of the hose.



10. Push the float next to the back-up valve as close to the valve as possible.